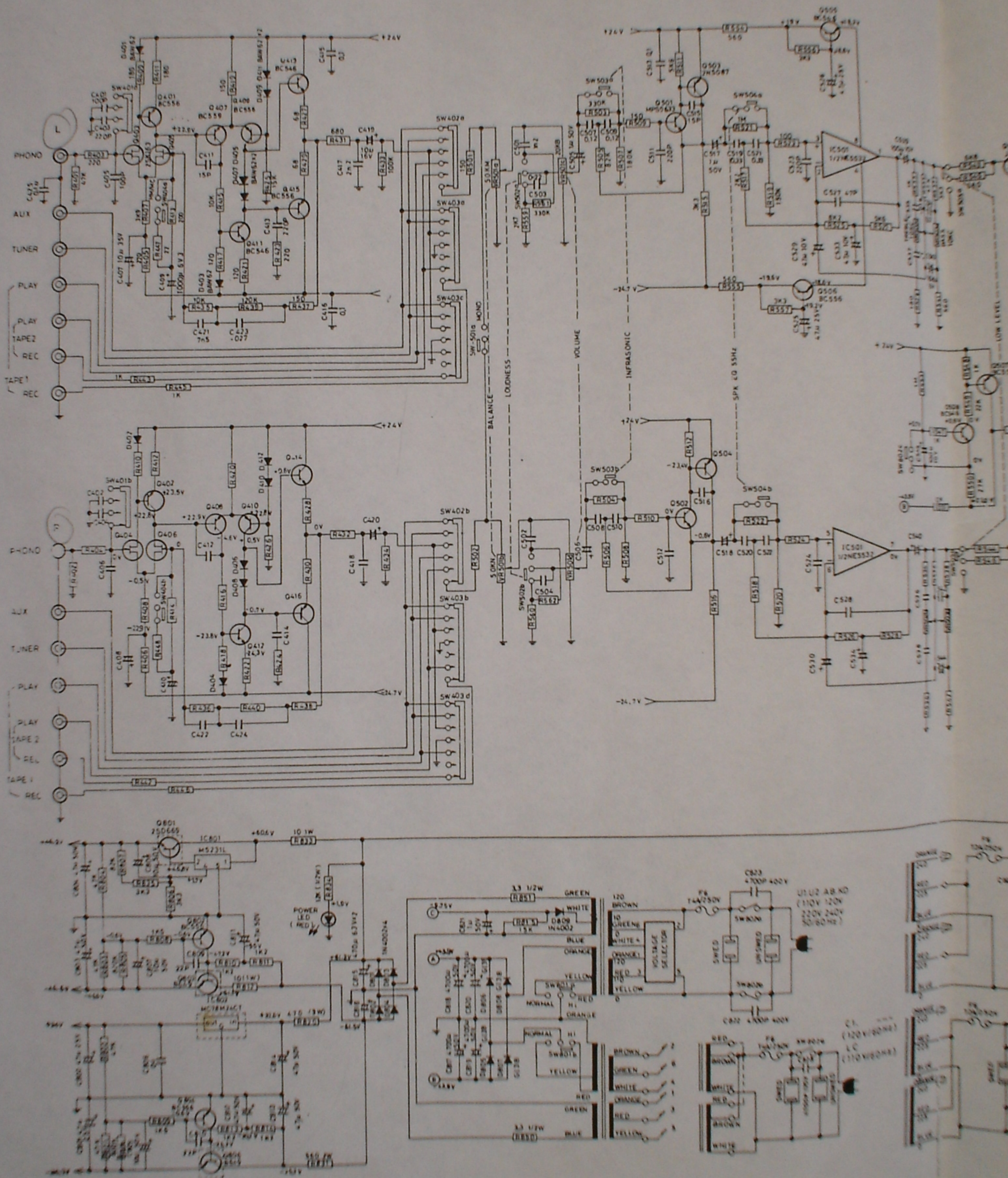
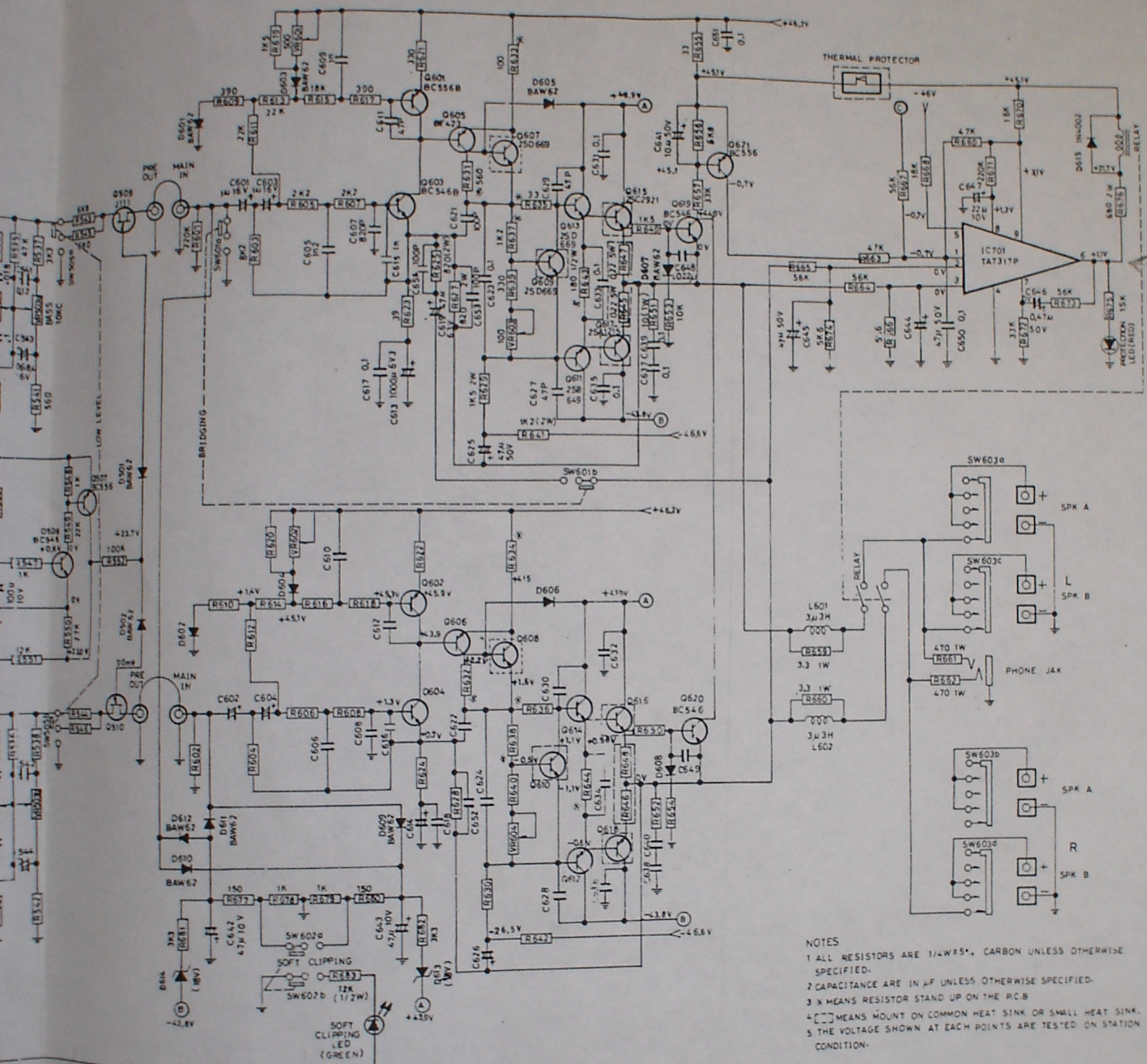


# 3150 CIRCUIT DIAGRAM

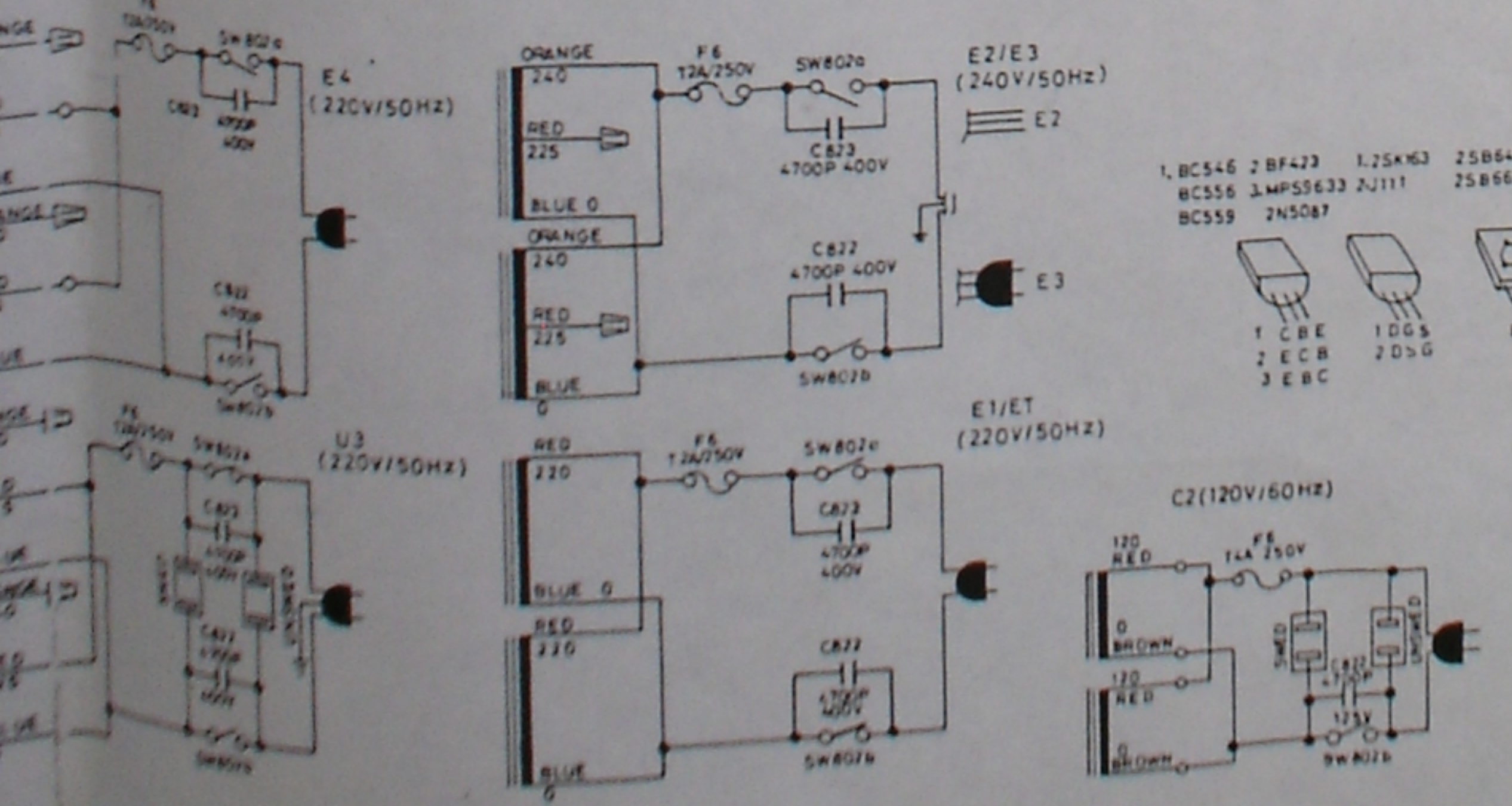
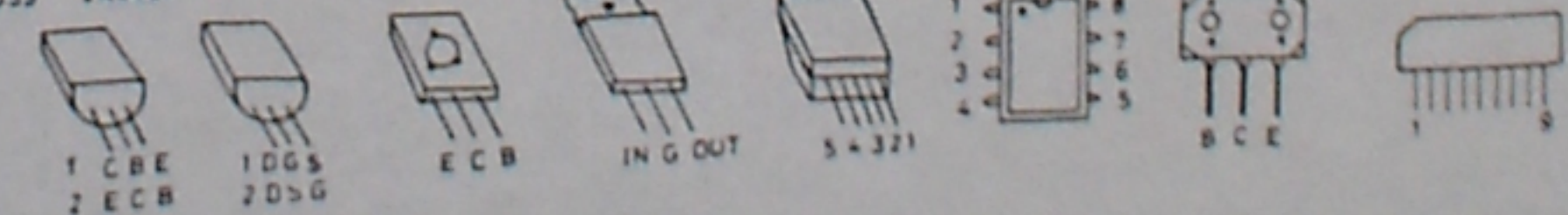




NOTES  
 1 ALL RESISTORS ARE 1/4W 5%. CARBON UNLESS OTHERWISE SPECIFIED.  
 2 CAPACITANCE ARE IN  $\mu F$  UNLESS OTHERWISE SPECIFIED.  
 3 X MEANS RESISTOR STAND UP ON THE P.C.B  
 4  $\square$  MEANS MOUNT ON COMMON HEAT SINK OR SMALL HEAT SINK.  
 5 THE VOLTAGE SHOWN AT EACH POINTS ARE TESTED ON STATION CONDITION.

SW801: IMPEDANCE SELECTORS SW.  
 SW802: POWER SW.  
 SW401: PHONO INPUT CAPACITANCE SELECTOR SW.  
 SW402: LISTEN SELECTOR SW.  
 SW403: RECORD SELECTOR SW.

- |          |           |         |        |           |        |        |         |         |
|----------|-----------|---------|--------|-----------|--------|--------|---------|---------|
| 1, BC546 | 2 BF423   | 1.25A63 | 25B649 | MC78M2ACT | MS231L | NE5532 | 25A1215 | 1A7317P |
| BC556    | 3 MPS5633 | 2J111   | 25B669 |           |        |        | 25C2921 |         |
| BC559    | 2N5087    |         |        |           |        |        |         |         |



436